

1Trig 8Cyl 1Coil 5V Mag

Harness Required: E01 Ver 1.0 & E02 Ver 1.1

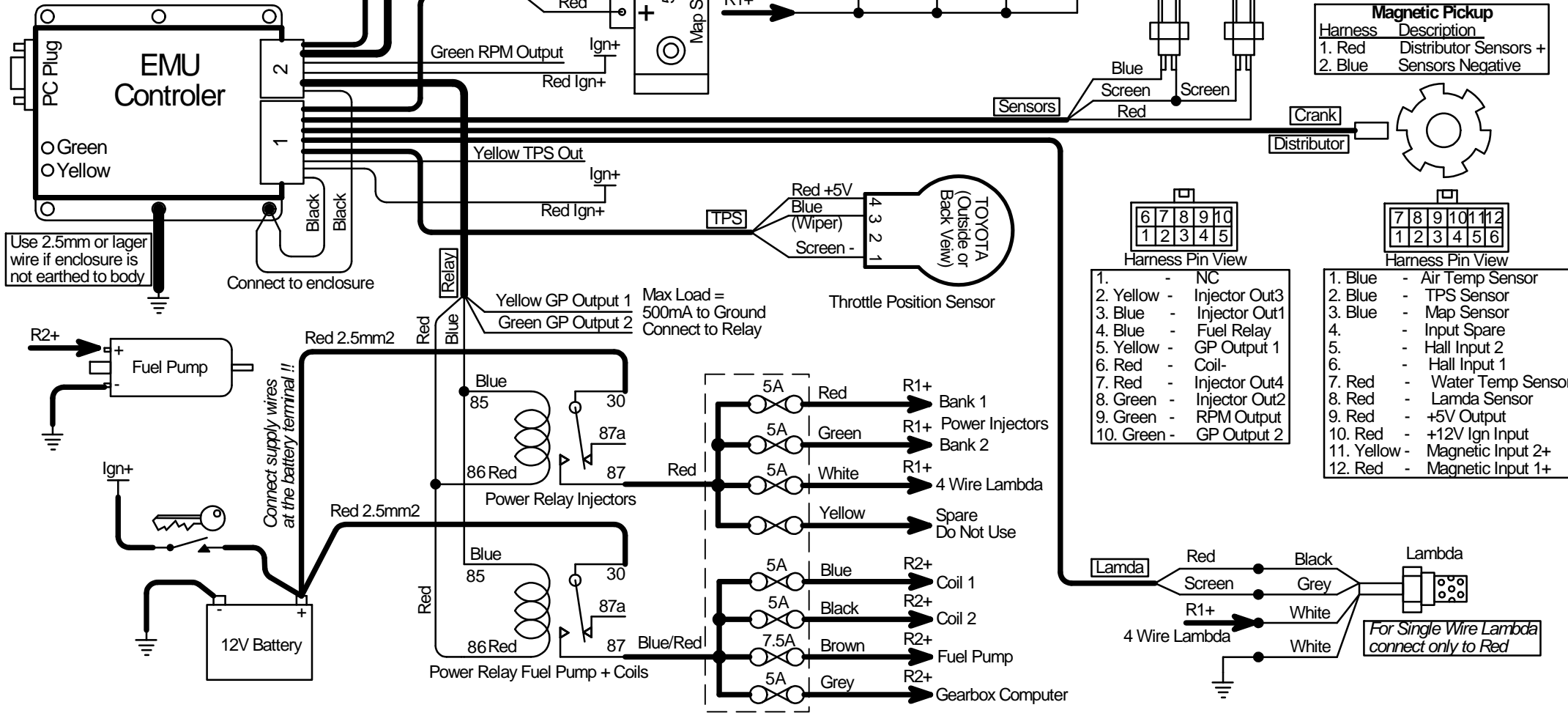
Last Changed: 24/04/2009

Drawing Ver: 1.0

Ign+
| Ignition Power
|
| Earth

Terminal Connections with the same name are tied together

Led's Functions
Yellow - Power
Green - RPM Pulse



(See Injector Wiring In EMU User Manual)
Firing Order Example
A B C D E F G H
Red = A+E
Yellow = B+F
Green = C+G
Blue = D+H

Magnetic Pickup

Harness	Description
1. Red	Distributor Sensors +
2. Blue	Sensors Negative

Harness Pin View

6	7	8	9	10
1	2	3	4	5

1. - NC
2. Yellow - Injector Out3
3. Blue - Injector Out1
4. Blue - Fuel Relay
5. Yellow - GP Output 1
6. Red - Coil-
7. Red - Injector Out4
8. Green - Injector Out2
9. Green - RPM Output
10. Green - GP Output 2

Harness Pin View

7	8	9	10	11	12
1	2	3	4	5	6

1. Blue - Air Temp Sensor
2. Blue - TPS Sensor
3. Blue - Map Sensor
4. - Input Spare
5. - Hall Input 2
6. - Hall Input 1
7. Red - Water Temp Sensor
8. Red - Lamda Sensor
9. Red - +5V Output
10. Red - +12V Ign Input
11. Yellow - Magnetic Input 2+
12. Red - Magnetic Input 1+

Max Load = 500mA to Ground
Connect to Relay

Use 2.5mm or larger wire if enclosure is not earthed to body

Connect supply wires at the battery terminal !!

For Single Wire Lambda connect only to Red